

St. Andrews Presbyterian Church Cemetery

115 St. Andrews Road
Scarborough, ON M1P 4N2

Tel: (416) 438-4100

Website: <https://standrewsscarborough.com/>

Email: office@standrewsscarborough.ca

Cemetery Operator Licence # 3305022.

For Enquiries, contact the Church Office at the # above

PRICE LIST

Effective date: October 21, 2021

The following format and content of the price list has been stipulated by the Bereavement Authority of Ontario and is required to be posted by all bereavement licensees.

INTERMENT RIGHTS

Interment right prices listed below include a non-refundable contribution to the cemetery's Care and Maintenance Fund. * The prices listed below do not include the opening and closing of the grave ("interment fee"), memorialization costs (flat marker, upright monument, etc.) and associated installation fees.

In-ground burials

Adult Grave 2.23 m ² /24 s.f. (3' wide x 8' long)	\$2000
Cremation Grave in Cremation section	\$500

***Care and Maintenance Fund Contribution:**

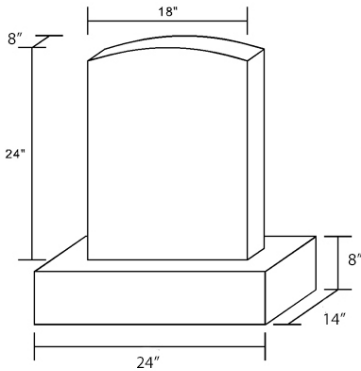
As required under the *Funeral, Burial and Cremation Services Act, 2002* and Ontario Regulation 30/11, the amounts below will be contributed to an irrevocable trust fund known as the Care and Maintenance Account. Income (interest) from this fund is used to cover care and maintenance expenses of the cemetery in perpetuity.

For one in-ground grave, 2.23m ² /24ft ² or larger	\$800 (40% of the purchase price)
For one child or cremation grave, smaller than 2.23m ² /24ft ²	\$200 (40% of the purchase price)

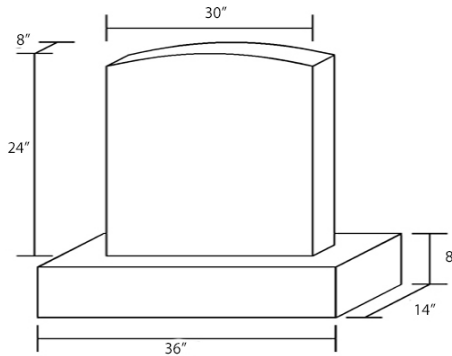
INTERMENT RIGHT & MARKER SPECIFICATIONS

Interment Right:	Single or Extra* Depth	Number of Burials Allowed		Marker Allowed - Yes or No	Marker Specifications (ex. size, flat or upright)
		Caskets	Cremated Remains		
Adult Grave	Single depth	one	Up to 4	yes	This is specific to the location of the plot, because of the layout and tight space in some sections of the cemetery.
Cremation Section Grave		NA	1-2	yes	See below

Size of Monument / Markers Relative to Plot				
		Width maximum	Height maximum	Depth- front to back minimum
Single grave	Base	24"	8"	14"
	Tablet/ Upright	18"	24"	8"
			Total height 32"	
Double grave	Base	36"	8"	14"
	Tablet/ Upright	30"	24"	8"
			Total Height 32"	
Foundations	Must be 4 feet (1.22 metres) deep, and sized according to the measurements of the base of the monument. Foundations are not required for in ground markers			
Cremation Section	One flat marker at ground level per 2'x2' grave. Marker must be of granite, 10" Long x 16" Wide x 4" Thick with polished top and smooth sides. Lettering recessed.			
In ground marker	One flat marker at ground level per individual plot. Marker must be located at the head of the grave in line with the row of headstones. Marker must be of granite. Dimensions same as cremation section stones, unless otherwise authorised by the trustees.			



Single Grave Monument



Double Grave Monument

CEMETERY SERVICES

Interment Fees (opening and closing of grave)

- **For Full Burial**, the opening and closing is managed by an external contractor, and the fee is paid directly to this operator. Only approved contractors may dig monument foundations and graves.
- **For Interment of cremated remains**, the Cemetery Sexton will prepare a receiving area in your plot that is 18" Long x 18" Wide x 30" Deep. Please keep this in mind when you choose the cremation urn

Cremated Remains Interment Fees....\$200 payable to St Andrews Cemetery, Scarborough

Winter interments are not permitted due to limited space for special equipment necessary, and the difficulty of correctly locating the exact burial site. The cemetery operator reserves the sole right to determine if weather and soil conditions are suitable for interment.

Administration fees

Transfer of interment rights to another person \$200

MONUMENTS AND MARKERS

All monuments and markers are provided by third parties. This includes the cost of construction of the monument foundation.

Fee for marking the location where a marker or monument is to be installed by a third party...This is payable to St Andrews Cemetery, Scarborough \$100

Care and Maintenance Fund Contribution:

As required under the *Funeral, Burial and Cremation Services Act, 2002*, the following amounts must be paid to the cemetery operator before a marker is installed. After each marker installation, the amount will be contributed to an irrevocable trust fund known as the Care and Maintenance Fund. Interest from the fund will be used to cover expenses for the care and maintenance of markers and monuments in perpetuity.

For flat markers measuring less than 1,116.13cm² / 173in² \$0

For flat markers measuring 1,116.13cm² / 173in² or larger \$50

For upright monuments 1.22m / 4ft or less in height and 1.22m / 4ft or less in length, including base \$100

For upright monuments more than 1.22m / 4ft in height and 1.22m / 4ft, including base \$200

PAYMENT, FINANCING & FUNDING

For services at time of death:

Payment is required prior to, or at the time of burial, payable to St Andrews Cemetery.